

TPA6020A2 Audio Power Amplifier Evaluation Module

This user's guide provides an overview of the Texas Instruments TPA6020A2 audio amplifier evaluation module (TPA6020A2EVM). It includes a list of EVM features, a brief, illustrated description of the module, and a list of EVM specifications.

Contents

1	Introduction	2
2	Operation	3
3	Related Documentation From Texas Instruments.....	7

List of Figures

1	TI TPA6020A2 Audio Amplifier Evaluation Module	2
2	Quick Start Module Map	3
3	TPA6020A2 EVM Connected for Stereo BTL Output.....	4
4	TPA6020A2 EVM Schematic Diagram	5
5	TPA6020A2 Evaluation Module Top Layer	6
6	TPA6020A2 Evaluation Module Bottom Layer.....	6

List of Tables

1	TPA6020A2 EVM Parts List.....	5
---	-------------------------------	---

1 Introduction

1.1 Feature Highlights

The Texas Instruments (TI) TPA6020A2 audio amplifier evaluation module includes the following features:

- TPA6020A2 Stereo, Low-Voltage, Audio Power Amplifier Evaluation Module
 - Stereo
 - Fully differential amplifier
 - Dual-channel, bridge-tied load (BTL)
 - 2.5-V to 5.5-V operation
 - 2.8-W per channel output power into $3\ \Omega$ at 5 V, BTL
 - Internal depop and quick start-up circuitry
 - Internal thermal and short-circuit protection
 - Module gain is set at 2 V/V

1.2 Description

The TPA6020A2 audio power amplifier evaluation module is a complete, stereo, low-power, dual-channel, audio power amplifier. It consists of the TI TPA6020A2 2.8-W, low-voltage, audio power amplifier IC along with a small number of other parts mounted on a circuit board that is approximately 2-in. long by 1.5-in. wide (see [Figure 1](#)).

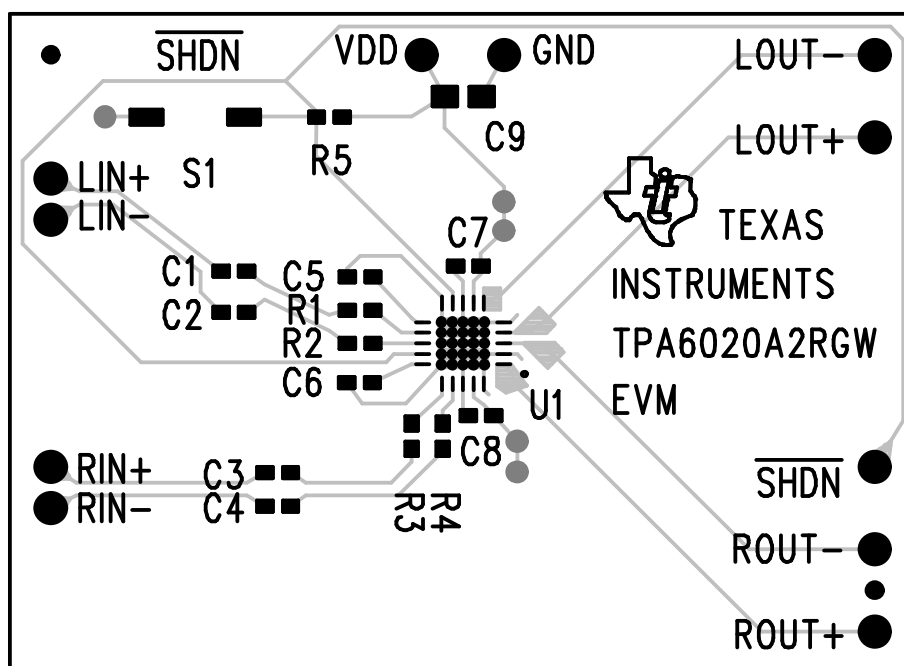


Figure 1. TI TPA6020A2 Audio Amplifier Evaluation Module

Single in-line header pins are mounted to the underside of the module circuit board. These pins allow the EVM to be wired directly into existing circuits and equipment.

1.3 TPA6020A2 EVM Specifications

		UNIT
V_{DD}	Supply voltage range	2.5 V to 5.5 V
	Power supply current rating required	2.5 A
	Continuous output power, Stereo, BTL, $V_{DD} = 5\text{ V}$, $R_L = 3\ \Omega$	2.8 W
V_I	Audio input voltage	0 V to V_{DD} , max
Z_L	Minimum load impedance	3 Ω

2 Operation

2.1 Quick Start List for Stand-Alone

Follow these steps to use the TPA6020A2 EVM stand-alone or when connecting it into existing circuits or equipment. Connections to the TPA6020A2 module header pins can be made via individual sockets, wire-wrapping, or soldering to the pins on either the top or the bottom of the module circuit board. Numbered callouts for selected steps are shown in [Figure 2](#).

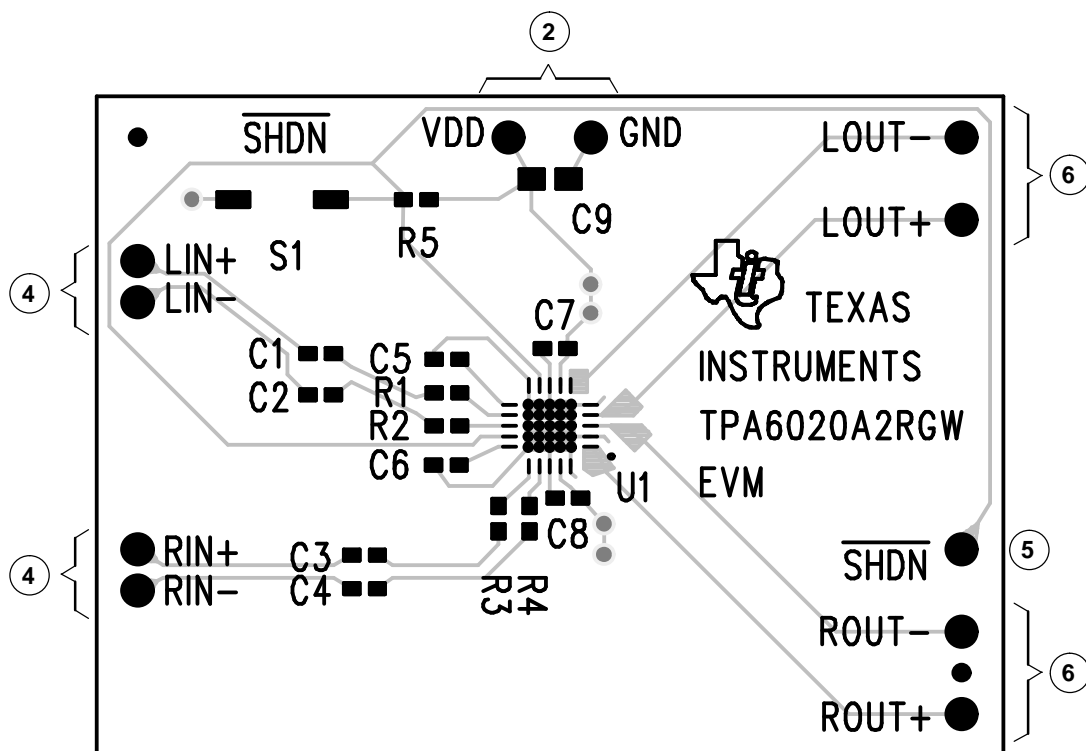


Figure 2. Quick Start Module Map

- Power Supply

- 1) Select and connect the power supply:
- 2) Connect an external regulated power supply set to 5 V to the module V_{DD} and GND pins, taking care to observe marked polarity.

- Inputs and Outputs

- 3) Ensure that signal source level is set to minimum.

- 4) Connect the right (left) positive lead from the audio source to the module RIN+ (LIN+) pin and the negative lead to the RIN- (LIN-) pin.
 - 5) Connect the $\overline{\text{SHDN}}$ pin to a voltage source for external control. Otherwise, $\overline{\text{SHDN}}$ will be controlled by the normally open switch, S1, on the EVM.
 - 6) Connect a 3- Ω to 32- Ω speaker to the module LOUT+ and LOUT- pins, and an identical speaker to the module ROUT+ and ROUT- pins.
- Power Up
 - 7) Verify that voltage and input polarity are correct, and set the external power supply to on. The EVM begins operation.
 - 8) Adjust the signal source level as needed.

2.2 References

2.2.1 TPA6020A2 EVM Connected for Stereo BTL Output

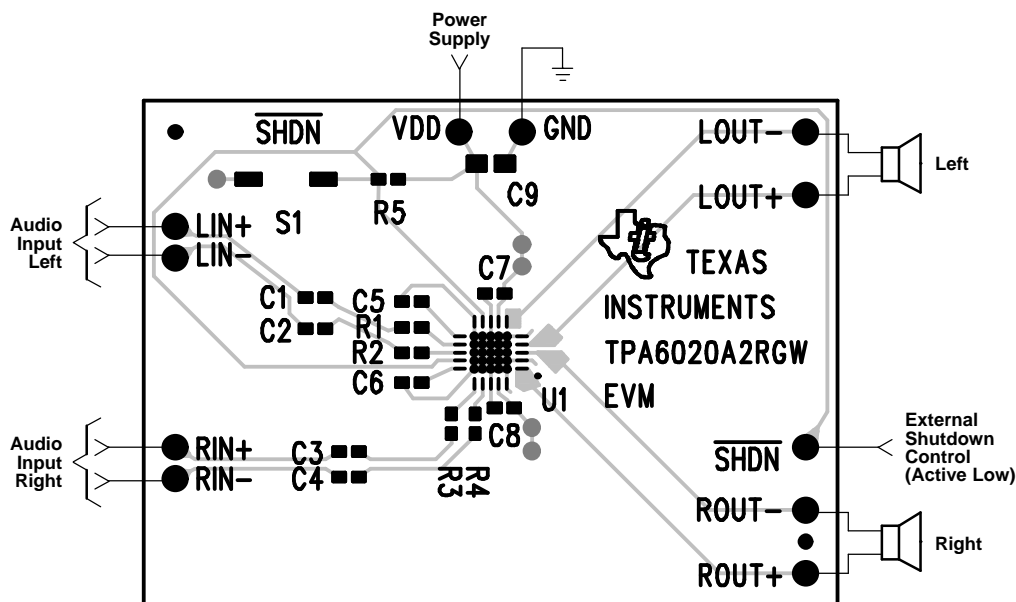


Figure 3. TPA6020A2 EVM Connected for Stereo BTL Output

2.2.2 TPA6020A2 EVM Schematic Diagram

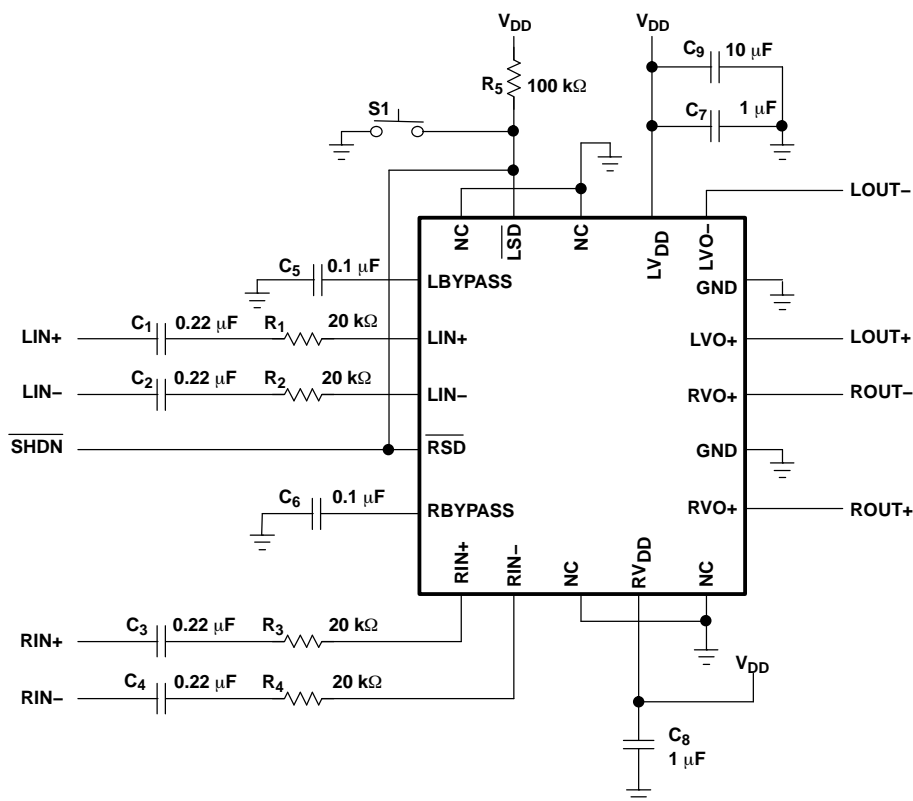


Figure 4. TPA6020A2 EVM Schematic Diagram

2.2.3 TPA6020A2 Audio Power Amplifier Evaluation Module Parts List

Table 1. TPA6020A2 EVM Parts List

Reference	Description	Size	Qty.	Manufacturer/ Part Number	Vendor/ Part Number
R1, R2, R3, R4	Resistor, 20kΩ, 1/16 W, 1%	0603	4	Panasonic ERJ-3EKF2002V	Digi-Key P20.0KHCT-ND
R5	Resistor, 100kΩ, 1/16 W, 1%	0603	1	Panasonic ERJ-3EKF1003V	Digi-Key PCS100KHCT-ND
C1, C2, C3, C4	Capacitor, 0.22μF, 10V, X5R, 10%	0603	4	Panasonic ECJ-1VB1A224K	Digi-Key PCC1749CT-ND
C5, C6	Capacitor, 0.1μF, 16V, X7R, 10%	0603	2	Panasonic ECJ-1VB1C104K	Digi-Key PCC1762CT-ND
C7, C8	Capacitor, 1.0μF, 10V, Y5V, +80/-20%	0603	2	Panasonic ECJ-1VF1A105Z	Digi-Key PCC1787CT-ND
C9	Capacitor, 10μF, 6.3V, Tantalum, 20%	A	1	Panasonic ECS-TOJY106R	Digi-Key PCS1106CT-ND
U1	IC, TPA6020A2, audio amplifier, 2.8W, stereo	20-pin QFN	1	TI TPA6020A2RGW	
S1	Switch, normally open, low-force, mom		1	Panasonic EVQ-PPBA25	Digi-Key P8086SCT-ND
	Terminal Post Headers		11	Sullins PTC36SABN	Digi-Key S1022-36-ND
PCB1	PCB, TPA6020A2 EVM		1		

2.2.4 TPA6020A2 Evaluation Module PCB Layers

The following illustrations depict the TPA6020A2 EVM, PCB layers and silkscreen. These drawings are not to scale. Gerber plots can be obtained from the TI Web site at www.ti.com.

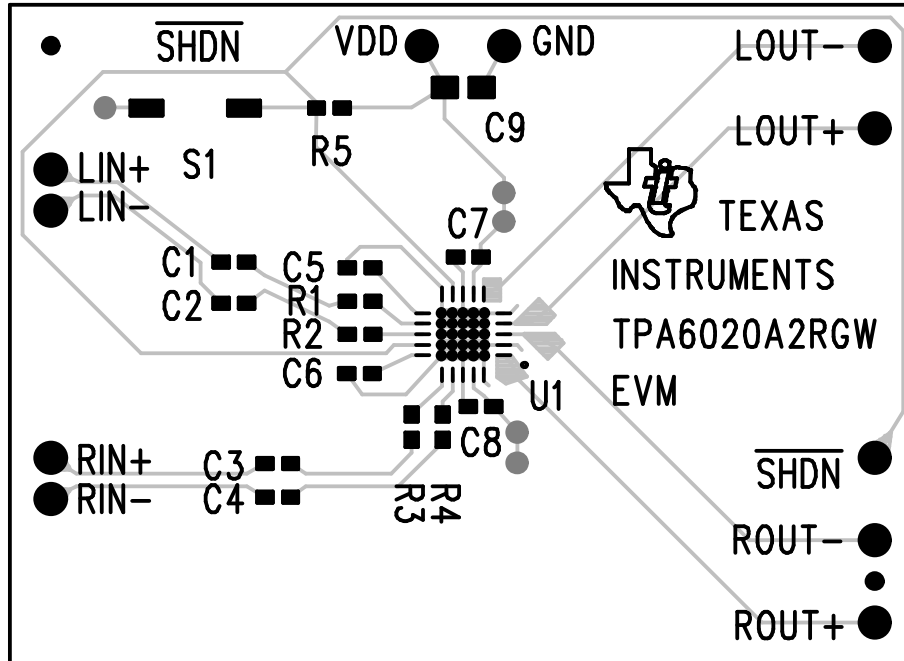


Figure 5. TPA6020A2 Evaluation Module Top Layer

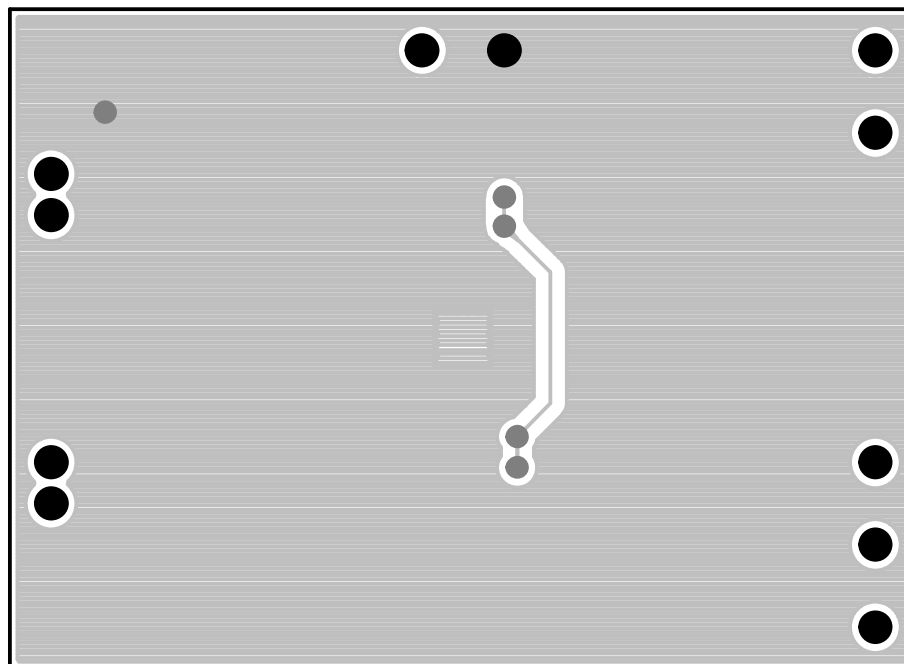


Figure 6. TPA6020A2 Evaluation Module Bottom Layer

3 Related Documentation From Texas Instruments

- *TPA6020A2, 2.8-W Stereo Fully Differential Audio Power Amplifier* ([SLOS458](#)). This is the data sheet for the TPA6020A2 audio amplifier integrated circuit.

FCC Warnings

This equipment is intended for use in a laboratory test environment only. It generates, uses, and can radiate radio frequency energy and has not been tested for compliance with the limits of computing devices pursuant to subpart J of part 15 of FCC rules, which are designed to provide reasonable protection against radio frequency interference. Operation of this equipment in other environments may cause interference with radio communications, in which case the user at his own expense will be required to take whatever measures may be required to correct this interference.

EVM IMPORTANT NOTICE

Texas Instruments (TI) provides the enclosed product(s) under the following conditions:

This evaluation kit being sold by TI is intended for use for **ENGINEERING DEVELOPMENT OR EVALUATION PURPOSES ONLY** and is not considered by TI to be fit for commercial use. As such, the goods being provided may not be complete in terms of required design-, marketing-, and/or manufacturing-related protective considerations, including product safety measures typically found in the end product incorporating the goods. As a prototype, this product does not fall within the scope of the European Union directive on electromagnetic compatibility and therefore may not meet the technical requirements of the directive.

Should this evaluation kit not meet the specifications indicated in the EVM User's Guide, the kit may be returned within 30 days from the date of delivery for a full refund. **THE FOREGOING WARRANTY IS THE EXCLUSIVE WARRANTY MADE BY SELLER TO BUYER AND IS IN LIEU OF ALL OTHER WARRANTIES, EXPRESSED, IMPLIED, OR STATUTORY, INCLUDING ANY WARRANTY OF MERCHANTABILITY OR FITNESS FOR ANY PARTICULAR PURPOSE.**

The user assumes all responsibility and liability for proper and safe handling of the goods. Further, the user indemnifies TI from all claims arising from the handling or use of the goods. Please be aware that the products received may not be regulatory compliant or agency certified (FCC, UL, CE, etc.). Due to the open construction of the product, it is the user's responsibility to take any and all appropriate precautions with regard to electrostatic discharge.

EXCEPT TO THE EXTENT OF THE INDEMNITY SET FORTH ABOVE, NEITHER PARTY SHALL BE Liable to the other FOR ANY INDIRECT, SPECIAL, INCIDENTAL, OR CONSEQUENTIAL DAMAGES.

TI currently deals with a variety of customers for products, and therefore our arrangement with the user **is not exclusive.**

TI assumes **no liability for applications assistance, customer product design, software performance, or infringement of patents or services described herein.**

Please read the EVM User's Guide and, specifically, the EVM Warnings and Restrictions notice in the EVM User's Guide prior to handling the product. This notice contains important safety information about temperatures and voltages. For further safety concerns, please contact the TI application engineer.

Persons handling the product must have electronics training and observe good laboratory practice standards.

No license is granted under any patent right or other intellectual property right of TI covering or relating to any machine, process, or combination in which such TI products or services might be or are used.

EVM WARNINGS AND RESTRICTIONS

It is important to operate this EVM within the input voltage range of 2.5 V to 5.5 V.

Exceeding the specified input range may cause unexpected operation and/or irreversible damage to the EVM. If there are questions concerning the input range, please contact a TI field representative prior to connecting the input power.

Applying loads outside of the specified output range may result in unintended operation and/or possible permanent damage to the EVM. Please consult the EVM User's Guide prior to connecting any load to the EVM output. If there is uncertainty as to the load specification, please contact a TI field representative.

During normal operation, some circuit components may have case temperatures greater than 85° C. The EVM is designed to operate properly with certain components above 85° C as long as the input and output ranges are maintained. These components include but are not limited to linear regulators, switching transistors, pass transistors, and current sense resistors. These types of devices can be identified using the EVM schematic located in the EVM User's Guide. When placing measurement probes near these devices during operation, please be aware that these devices may be very warm to the touch.

Mailing Address: Texas Instruments, Post Office Box 655303, Dallas, Texas 75265
Copyright © 2005, Texas Instruments Incorporated

IMPORTANT NOTICE

Texas Instruments Incorporated and its subsidiaries (TI) reserve the right to make corrections, modifications, enhancements, improvements, and other changes to its products and services at any time and to discontinue any product or service without notice. Customers should obtain the latest relevant information before placing orders and should verify that such information is current and complete. All products are sold subject to TI's terms and conditions of sale supplied at the time of order acknowledgment.

TI warrants performance of its hardware products to the specifications applicable at the time of sale in accordance with TI's standard warranty. Testing and other quality control techniques are used to the extent TI deems necessary to support this warranty. Except where mandated by government requirements, testing of all parameters of each product is not necessarily performed.

TI assumes no liability for applications assistance or customer product design. Customers are responsible for their products and applications using TI components. To minimize the risks associated with customer products and applications, customers should provide adequate design and operating safeguards.

TI does not warrant or represent that any license, either express or implied, is granted under any TI patent right, copyright, mask work right, or other TI intellectual property right relating to any combination, machine, or process in which TI products or services are used. Information published by TI regarding third-party products or services does not constitute a license from TI to use such products or services or a warranty or endorsement thereof. Use of such information may require a license from a third party under the patents or other intellectual property of the third party, or a license from TI under the patents or other intellectual property of TI.

Reproduction of information in TI data books or data sheets is permissible only if reproduction is without alteration and is accompanied by all associated warranties, conditions, limitations, and notices. Reproduction of this information with alteration is an unfair and deceptive business practice. TI is not responsible or liable for such altered documentation.

Resale of TI products or services with statements different from or beyond the parameters stated by TI for that product or service voids all express and any implied warranties for the associated TI product or service and is an unfair and deceptive business practice. TI is not responsible or liable for any such statements.

TI products are not authorized for use in safety-critical applications (such as life support) where a failure of the TI product would reasonably be expected to cause severe personal injury or death, unless officers of the parties have executed an agreement specifically governing such use. Buyers represent that they have all necessary expertise in the safety and regulatory ramifications of their applications, and acknowledge and agree that they are solely responsible for all legal, regulatory and safety-related requirements concerning their products and any use of TI products in such safety-critical applications, notwithstanding any applications-related information or support that may be provided by TI. Further, Buyers must fully indemnify TI and its representatives against any damages arising out of the use of TI products in such safety-critical applications.

TI products are neither designed nor intended for use in military/aerospace applications or environments unless the TI products are specifically designated by TI as military-grade or "enhanced plastic." Only products designated by TI as military-grade meet military specifications. Buyers acknowledge and agree that any such use of TI products which TI has not designated as military-grade is solely at the Buyer's risk, and that they are solely responsible for compliance with all legal and regulatory requirements in connection with such use.

TI products are neither designed nor intended for use in automotive applications or environments unless the specific TI products are designated by TI as compliant with ISO/TS 16949 requirements. Buyers acknowledge and agree that, if they use any non-designated products in automotive applications, TI will not be responsible for any failure to meet such requirements.

Following are URLs where you can obtain information on other Texas Instruments products and application solutions:

Products		Applications	
Amplifiers	amplifier.ti.com	Audio	www.ti.com/audio
Data Converters	dataconverter.ti.com	Automotive	www.ti.com/automotive
DSP	dsp.ti.com	Broadband	www.ti.com/broadband
Interface	interface.ti.com	Digital Control	www.ti.com/digitalcontrol
Logic	logic.ti.com	Military	www.ti.com/military
Power Mgmt	power.ti.com	Optical Networking	www.ti.com/opticalnetwork
Microcontrollers	microcontroller.ti.com	Security	www.ti.com/security
RFID	www.ti-rfid.com	Telephony	www.ti.com/telephony
Low Power Wireless	www.ti.com/lpw	Video & Imaging	www.ti.com/video
		Wireless	www.ti.com/wireless

Mailing Address: Texas Instruments, Post Office Box 655303, Dallas, Texas 75265
Copyright © 2007, Texas Instruments Incorporated